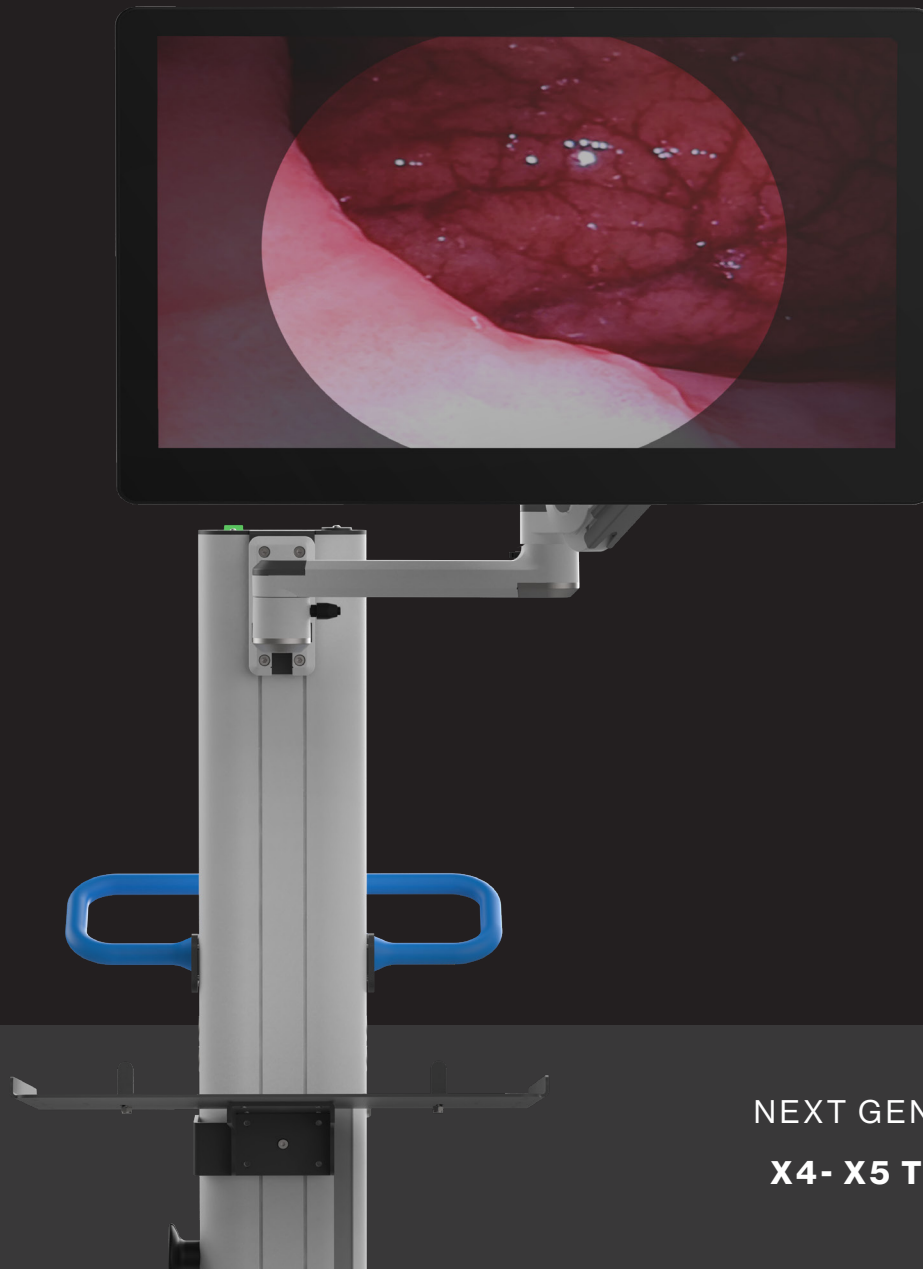


MULTIX

Tailored Medical Trolley



NEXT GENERATION
X4- X5 TROLLEYS

Endoscopy

X4 110/130

Twin columns

These Platforms are tailored for endoscopy systems but can also accommodate devices for various other applications. It offers ample storage space, featuring a dual-column design built on a modular framework.

Cable management

Both models come equipped with cable clips and a power strip nestled inside the column. It is also possible to include an insulator transformer of up to 2000W.

2/4

Shelves



FOOT PRINT BASE

(W)725X(D)550 mm

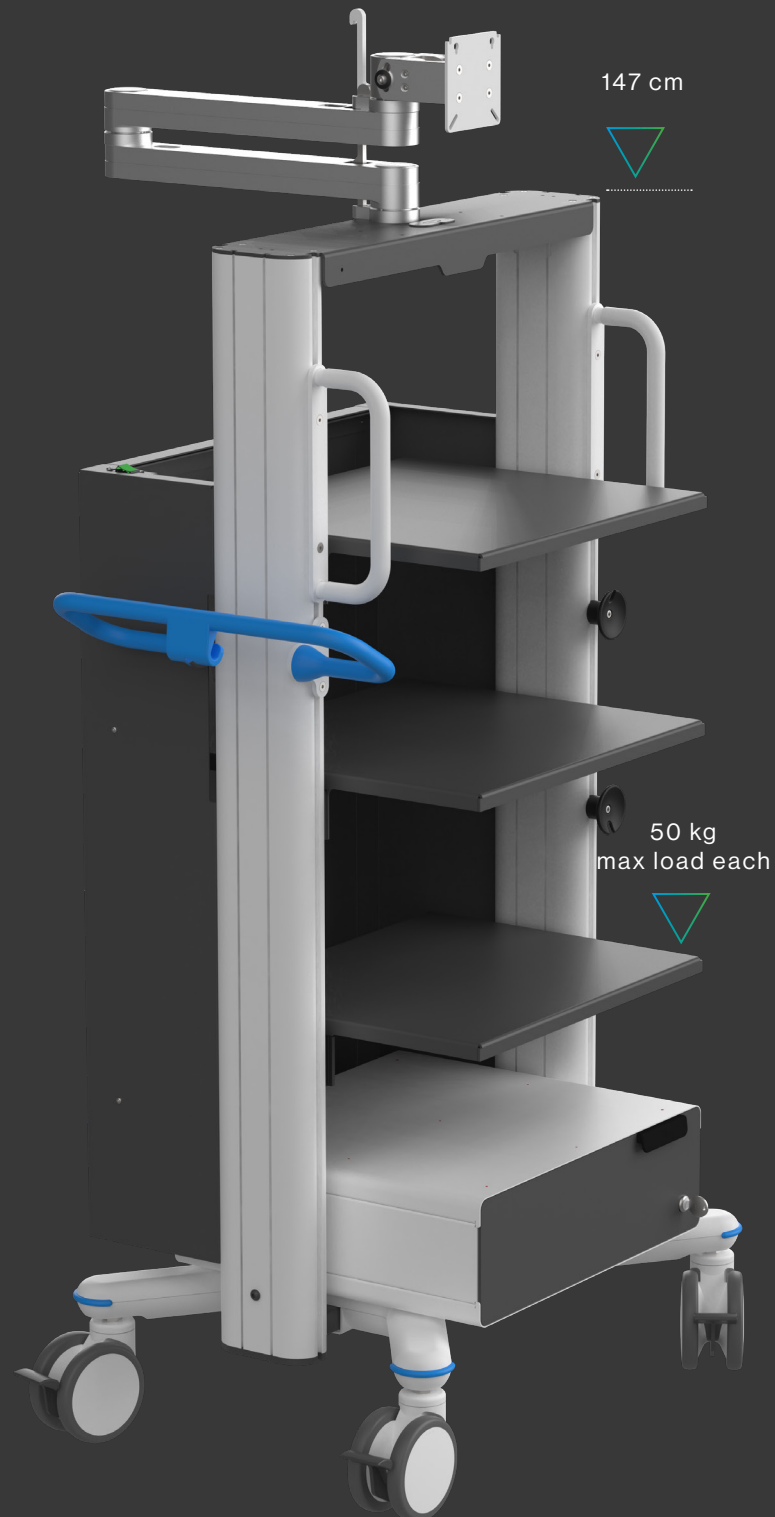
TWIN WHEELS Ø 125 mm

4 with Brakes, 2 ESD

Compliant with:
MDR 2017/745
EN 60601-1

Double pivot arm

for monitor up to 32"





180 cm



VESA Pole
for monitor up to 32"

X5 110/150

Single Column

Tall columns for placing monitors in higher and accommodating several devices

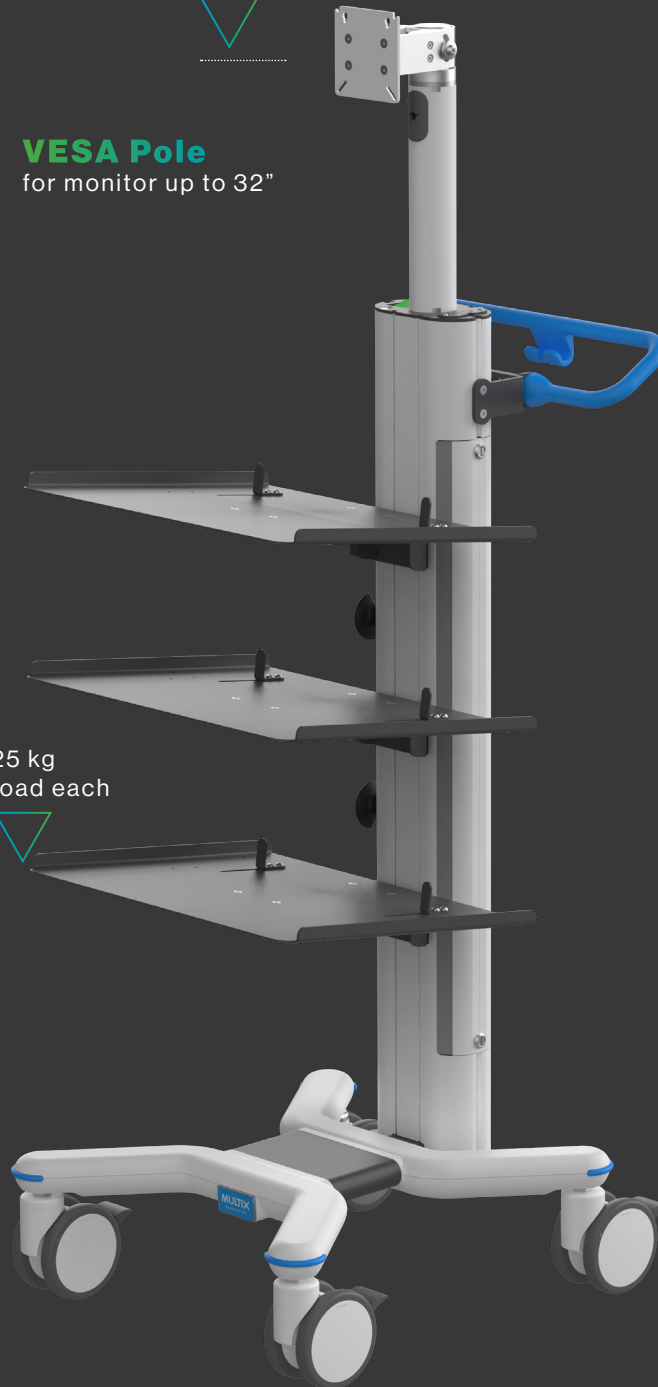
Cable management

X5 models come equipped, inside the column, with a power strip and cable clips. It is also possible to include an isolation transformer of up to 2000W on a shelf or underneath the base.

2/4

Shelves

25 kg
max load each



FOOT PRINT LONG BASE

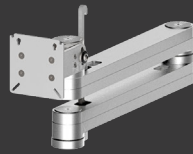
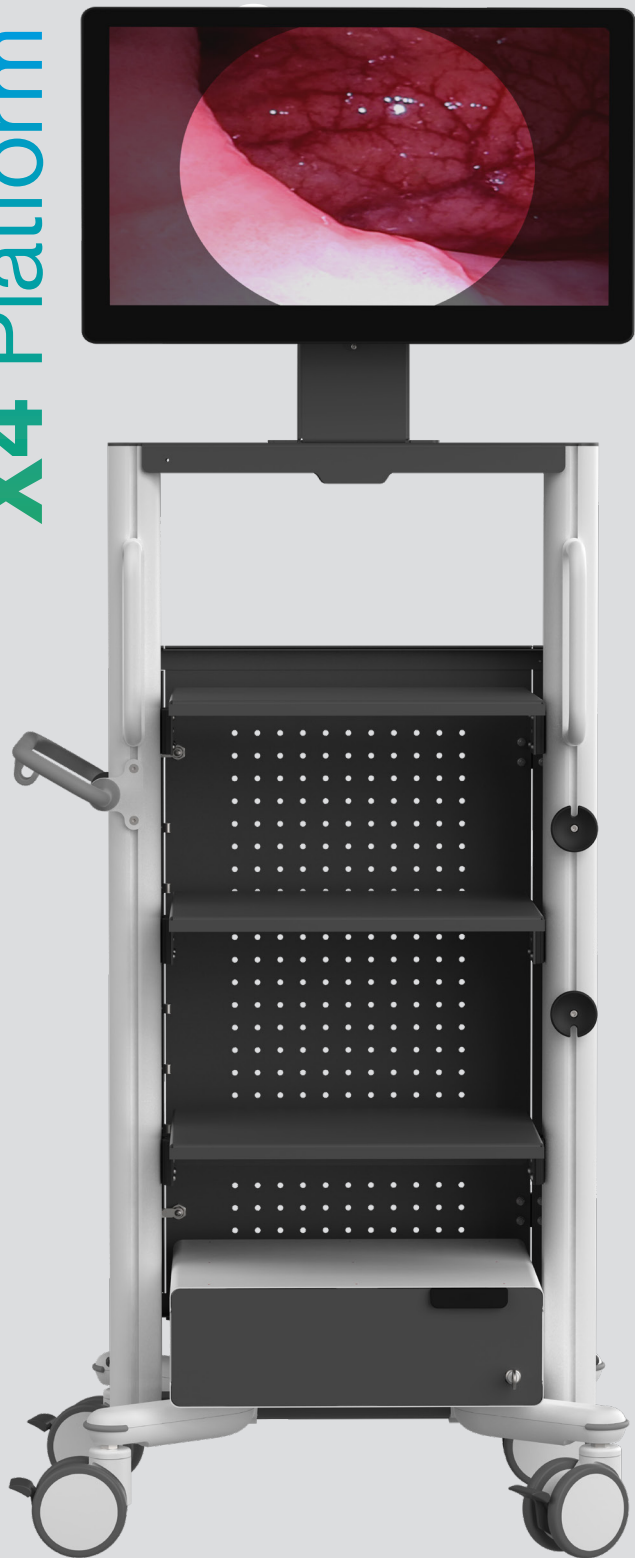
(W)550X(D)575/725 mm

TWIN WHEELS Ø 125 mm

4 with Brakes, 2 ESD

Compliant with:
MDR 2017/745
EN 60601-1

X4 Platform X



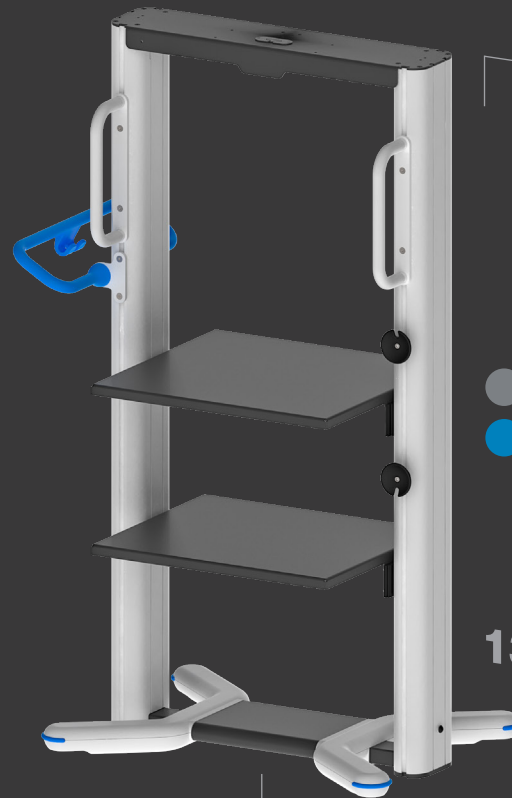
P



H150



W



Shelves
N.2 in the standard
version
Dimensions
W (520) D (450)

Accent Color

● G Gray

● B Blue

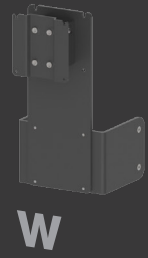
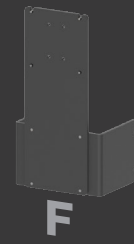
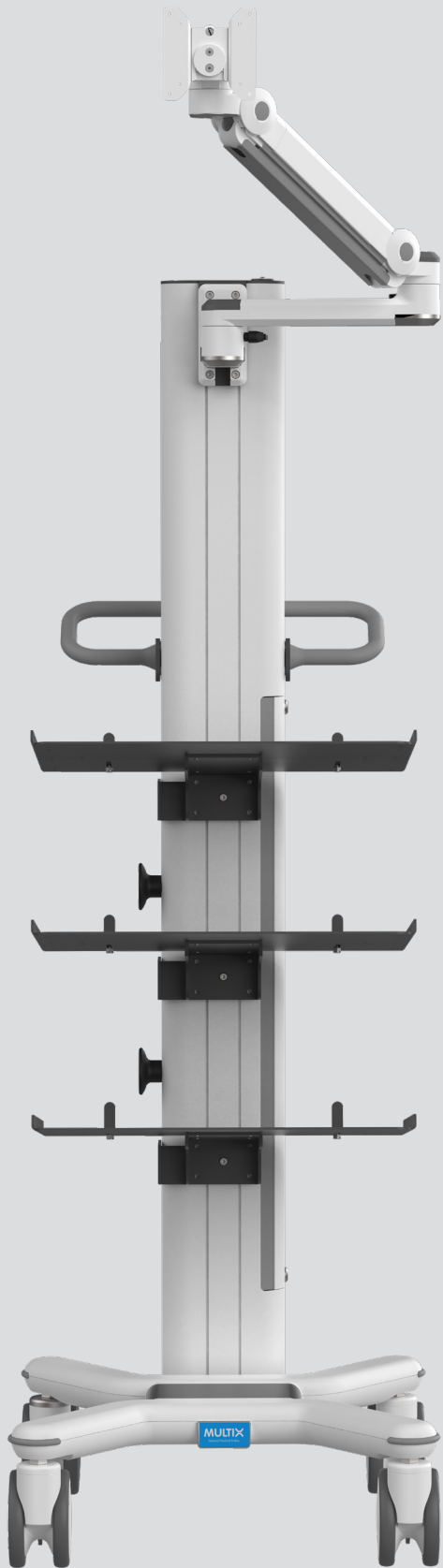
13



TC



X5 Platform X



Shelves
N.2 in the standard
version
Dimensions
W (480) D (530)
For X5L Platform

Accent Color

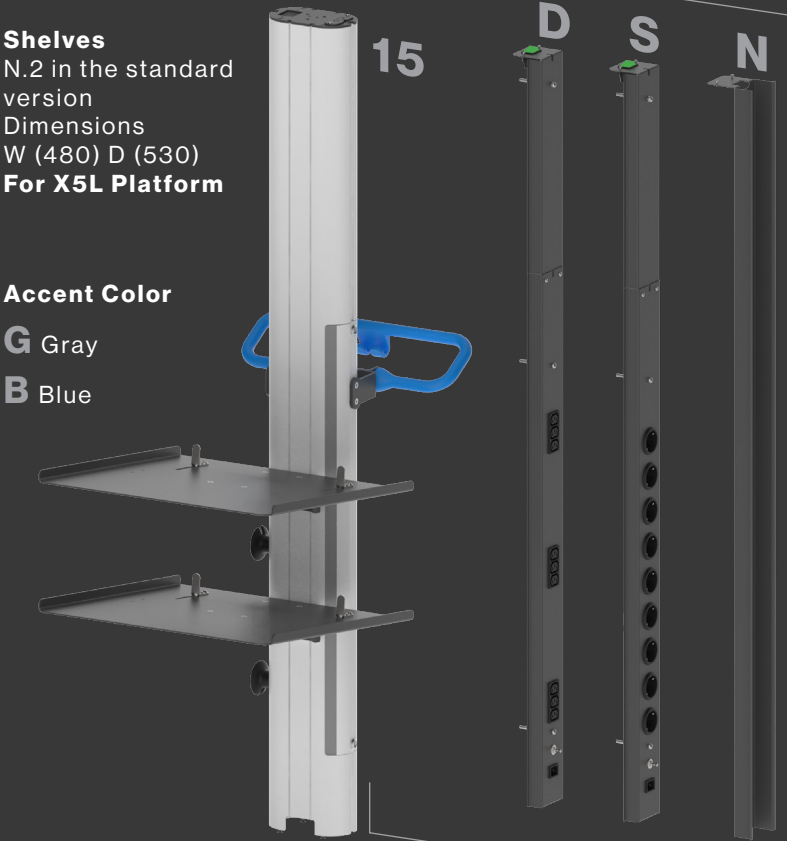
- G Gray
- B Blue

15

D

S

N



X5L

TC

Endoscopy

X4

Twin columns

Cable management

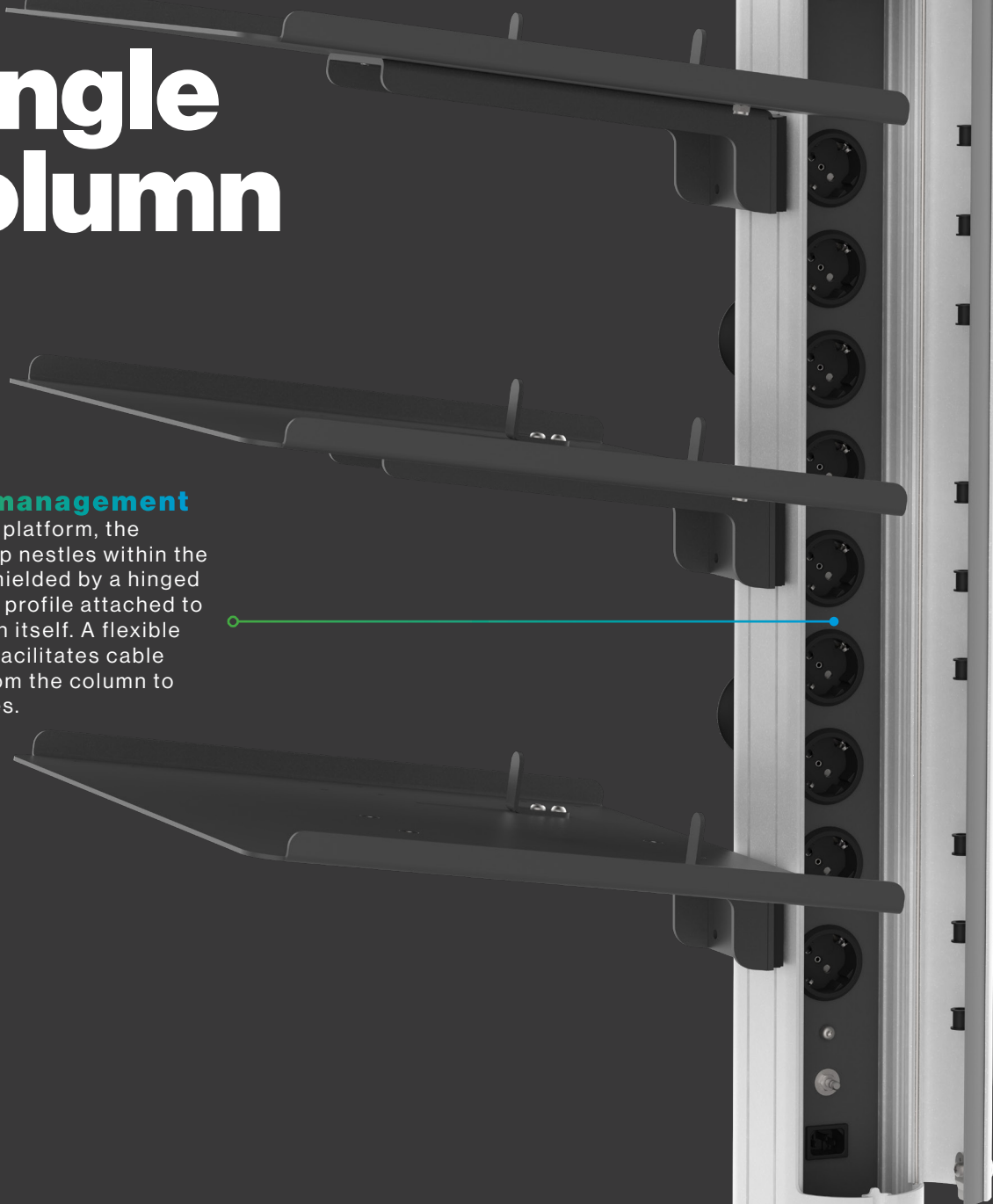
The power strip can be easily reached through a rear access panel.

X5

Single column

Cable management

On the X5 platform, the power strip nestles within the column, shielded by a hinged aluminium profile attached to the column itself. A flexible PVC seal facilitates cable routing from the column to the devices.



X4 SHELF A

Dimensions
(W) 520mm
(D) 450mm

max load 50kg



Available for:
X4

X4 SHELF B With Multi-plug support

Dimensions
(W) 520mm
(D) 410mm

max load 50kg



Available for:
X4

X5 SHELF

Dimensions
(W) 480mm
(D) 430mm
(D) 530mm (X5L)

Inclination 8°

max load 25kg

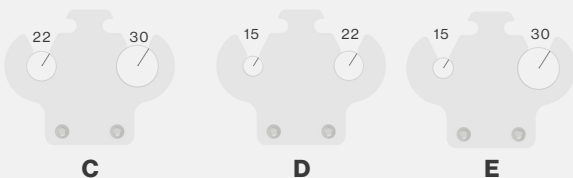


Available for:
X5

PROBE HOLDER C-D-E

PMMA Transparent

Max load 3Kg



Available for:
X5

PROBE HOLDER F

PMMA Transparent

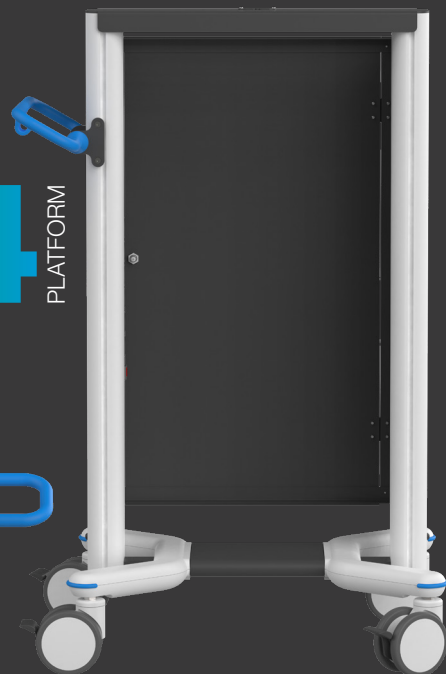
Max load 3Kg



Available for:
X4

all the accessories you need*

X4 PLATFORM
110 - 130



X5 PLATFORM
110 - 150



*
Ask for custom accessories, we will design them for your application!



VESA ADAPTER

VESA up to 400x600mm
up to 55" monitor



Available for:
X4 AND X5

AL DRAWER

with KEY LOCKING SYSTEM

Inner dim.
(W)384mm
(D) 400mm
(H) 130 mm

Outer dim.
(W)500 mm
(D) 460 mm
(H) 160mm



Available for:
X4

Max load 6 Kg

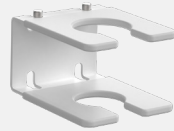
CAMERA/PROBE HOLDER

4
FOR X4 Inner \varnothing min 20 mm
Inner \varnothing max 55 mm
Height 82mm



A

B
FOR X4 Inner \varnothing min 34 mm
Inner \varnothing max 39 mm
Height 52mm



B

C
FOR X5 Outer \varnothing min 31,8 mm



C

AL DRAWER K

with KEY LOCKING SYSTEM

Inner dim.
(W)347mm
(D) 277mm
(H) 110 mm

Outer dim.
(W)417 mm
(D) 300 mm
(H) 160mm



Available for:
X5

Max load 3Kg

COLUMN RAIL

(W) 300mm,
Max load 4Kg



Available for:
X4
X5

ISO DRAWER 30X40

with KEY LOCKING SYSTEM

Outer dim.
(W) 465 mm
(D) 317 mm
(H) 268mm



Available for:
X5

Max load 6Kg

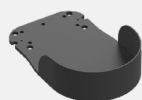
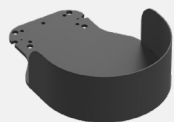
SINGLE OXYGEN SUPPORT



20 L (\varnothing 206mm)



3/5/10 L (\varnothing 146mm)

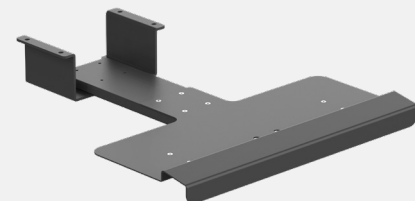


Available for:
X4

QWERTY TRAY

(W) 490mm
(D) 155mm

Max load 1Kg



Available for:
X5

MULTIX

Tailored Medical Trolley

MLTCAT IBE02(EN)



design by:
rezzonico | *design*

Multix Solutions s.r.l.
phone +39 031 4100263

info@multix-trolley.com
www.multix-trolley.com

Via Padre Rovagnati, 2
22066 Mariano Comense
COMO - ITALY

Made in Italy


NEXT GENERATION **X4- X5 TROLLEYS**