

Instruction for Use



SCHILLER
The Art of Diagnostics

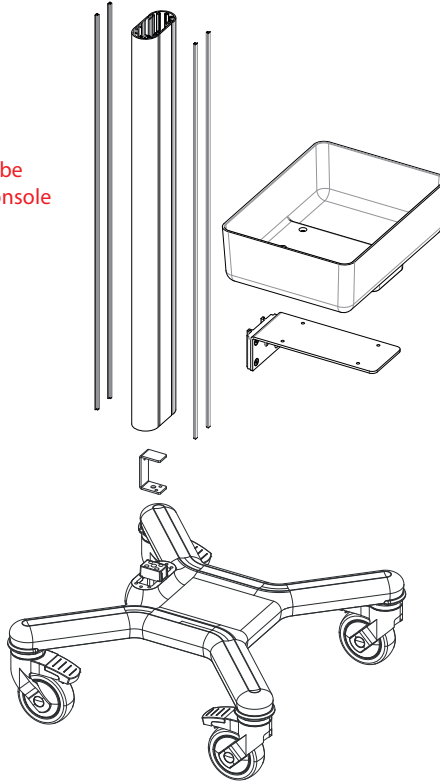
Scan the QR code to
find the instructions
in your language



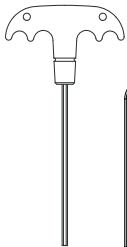
Please provide the instruction for use to the final User after installation.



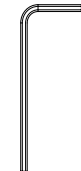
All the accessories must be assembled before the console



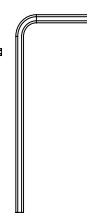
https://multix-trolley.com/ifu/a1z_schiller/



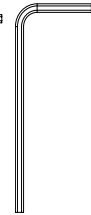
3



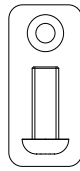
2.5



4



5



1x
M6X16+
plastic washer



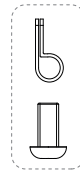
4x
Ø4X38



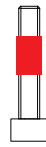
4x
M6X8



4x
M4X6
(grommets)



1x
M4X12
Cable clip
(base)



2x
M6x30
with
threadlocker

ILLUSTRATION A

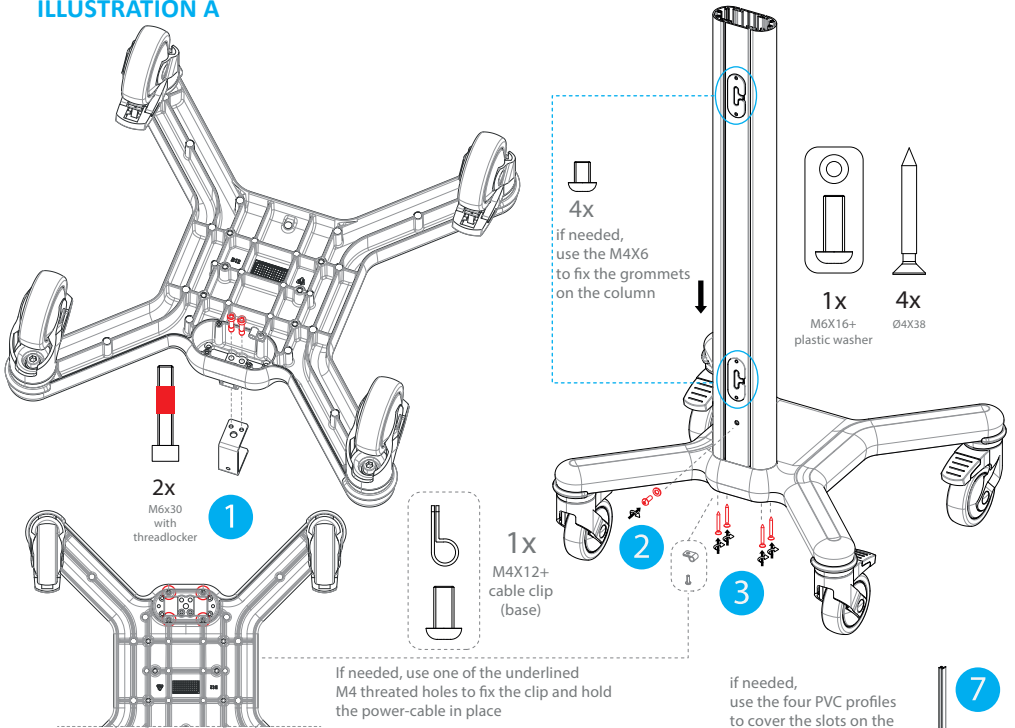
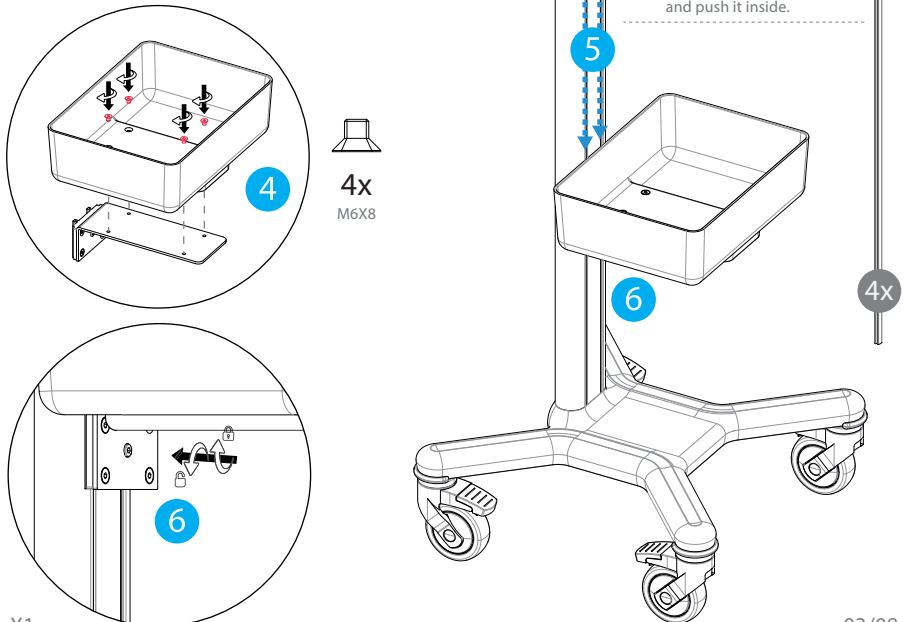


ILLUSTRATION B



INTENDED USE

The **X1 Trolley** enables the transport of the **SCHILLER ECG device** and its accessories between points of therapy in the hospital environment and limited care facility environment.



GENERAL SAFETY OBLIGATIONS

- The Trolley instructions must be read before use.
- Keep the instructions for future reference.
- The Product was created exclusively for the methods mentioned in the instruction manual.
- Any other use is to be considered improper.
- Multix Solutions is not liable for damages to persons and/or things due to improper use.
- Tampering or damage caused by incorrect use of the product leads to the immediate forfeiture of the guarantee.
- When a **SCHILLER ECG device** is mounted on the trolley, it will be the responsibility of **SCHILLER AG** to ensure that the system complies with the current applicable standards, EN 60601-1 current version.

GENERAL WARNING AND CAUTION

The safety of the trolley is guaranteed by carefully following the instructions below.

1. Make sure the cart matches the illustration in the manual.
 - Check that it is not broken or damaged during transport.
 - Check that the moving and locking parts such as wheels, brakes and (if present) the gas spring are functional.
 - All four wheels of Trolley have to be locked, when the system and its accessories are assembled or when the system is applied stationary.
 - All wheels of the Trolley have to be unlocked before the Trolley is pushed.
 - Make sure that the Trolley is parked.
 - Make sure that the Trolley is not parked on strongly uneven surfaces.
 - In order to prevent the trolley from tipping over, when the trolley is passing over obstacles (e.g. power cables or door thresholds), it is necessary to hold the trolley handle, turn 180°, slightly lift the trolley upwards, and pull the trolley to pass over the obstacle as illustrated in the transport instructions figure 02 on page 06.
 - Avoid an excessive force to push the Trolley.
 - No changes to this product are permitted.
2. Follow the maximum load weight indicated on the load label.
 - IT IS FORBIDDEN TO SIT ON THE CART
 - PUSHING PROHIBITED
3. Installation and maintenance must be performed by qualified technical personnel and following the assembly instructions.
4. On request, it is possible to provide spare parts after the approbation by **SCHILLER AG**.

ASSEMBLY

The installation guide of the Trolley is described in the illustrations [a-b on the page 3](#).

MAINTENANCE AND CLEANING

- Check all fixing points and mechanisms every 6 months.
- The product is only suitable for use of indoor environments.
- Regularly clean the metal and/or plastic surfaces with non-corrosive neutral pH detergents and a cloth/sponge/brush with soft bristles.
- Do not pour directly on surfaces liquid, chlorine-based or ammonia-based detergents, greasy and oily substances.

DISPOSAL

- The useful life of the product is 10 years, after this life, the trolley must be disposed of according to the regulations in force in the respective countries.

SYMBOLS

The following symbols are displayed on the product or in the instruction:



Caution



CE-Marking



Catalogue number



Operation instruction



Manufacturer



Model Number



Medical Device



Batch code



Date of manufacture



Humidity limitation



Orientation



Fragile, handle with care



Keep dry



Keep away from sunlight



Temperature limit



It's forbidden to sit on the cart



Pushing Prohibited



Distributed by

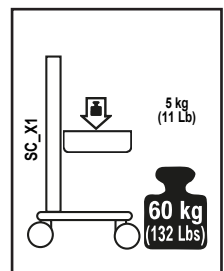
CAUTION



5 kg Maximum load (basket)
(11 Lb)



Total mass including safe working load, together with Suction electrode system DT80 OR DT100 Strassle (* including pump arm)



The trolley has been tested with:

- * strassle pump - DT80 mounted on the front-column with 6kg counter-weight **under the base**
- * strassle pump - DT100 mounted on the front-column **on the base**

During the trolley transportation the pump-arm has to be positioned as in the pictures below.

- ⚠ If pumps are present, rotate forward the front and bend down the arm during transport.
- When the trolley is passing over obstacles turn 180°, slightly lift the trolley upwards, and pull the trolley.

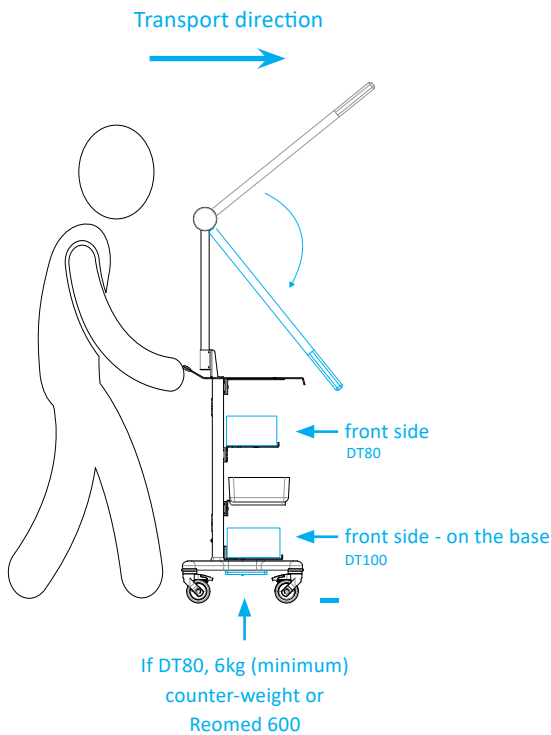


FIGURE 01

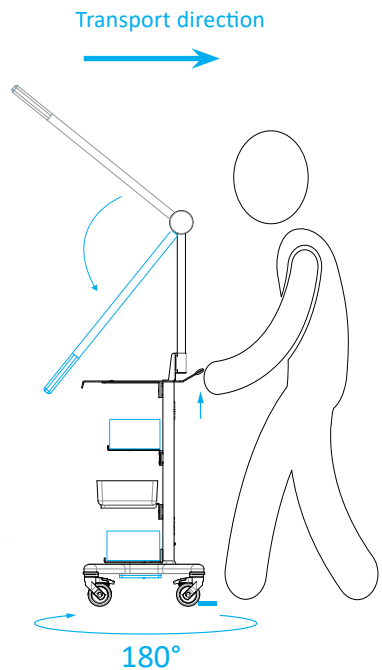


FIGURE 02

Distributed by: SCHILLER AG

Altgasse 68
P.O. Box 1052
6341 Baar
Switzerland
www.schiller.ch



Multix Solutions s.r.l.
Via Padre Rovagnati 2
22066
Mariano Comense (CO)
Italy

