

Installation Guide

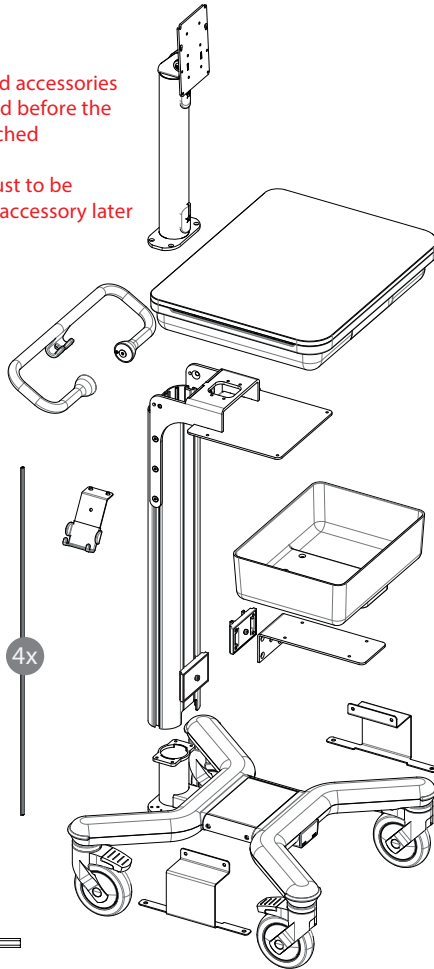


SCHILLER
The Art of Diagnostics

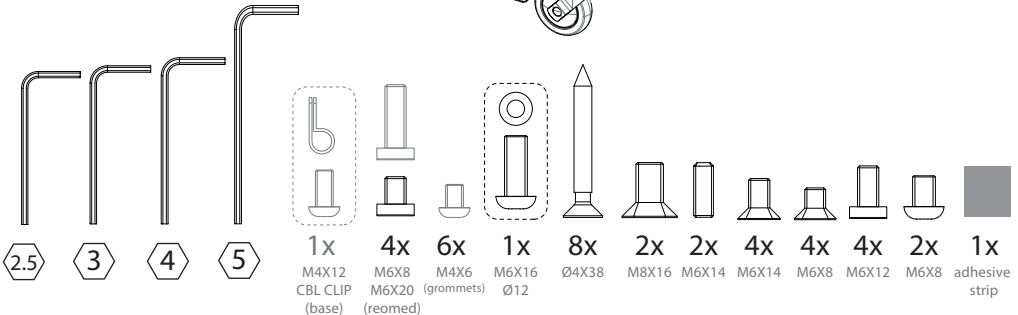
Scan the QR code to find the instructions in your language



! The column mounted accessories have to be assembled before the pole-monitor is attached or the pole-monitor must be removed to add the accessory later



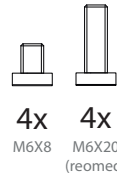
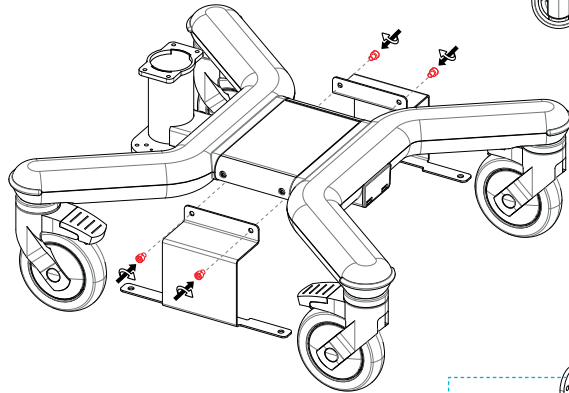
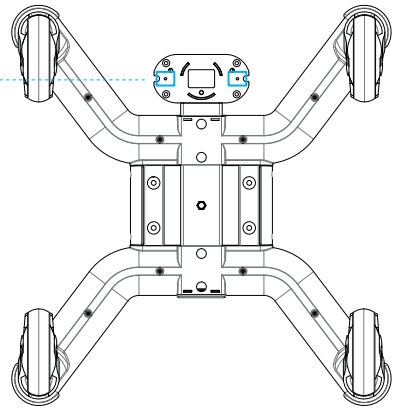
https://multix-trolley.com/ifu/a1z_schiller/





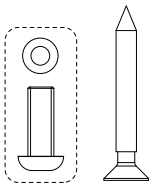
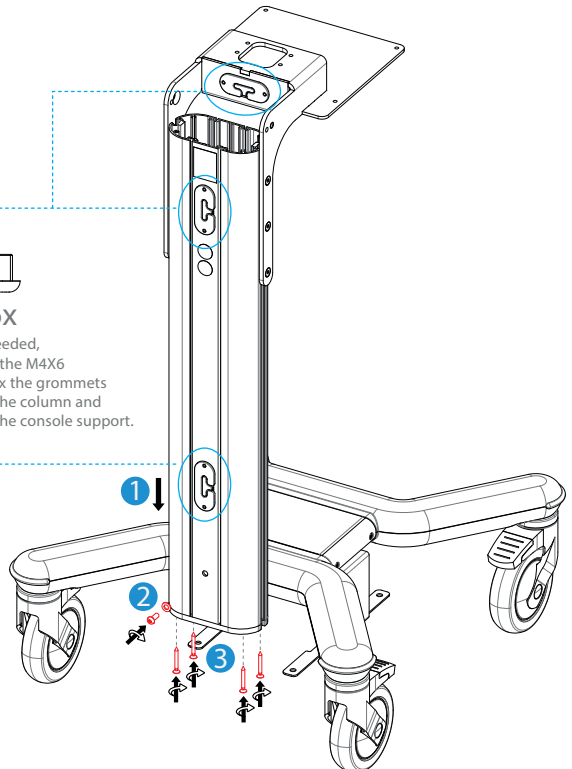
1x
M4X12
CBL CLIP
(base)

if needed,
use one of the underlined
M4 threaded holes
to fix the clip and hold
the power-cable in place

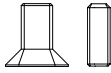


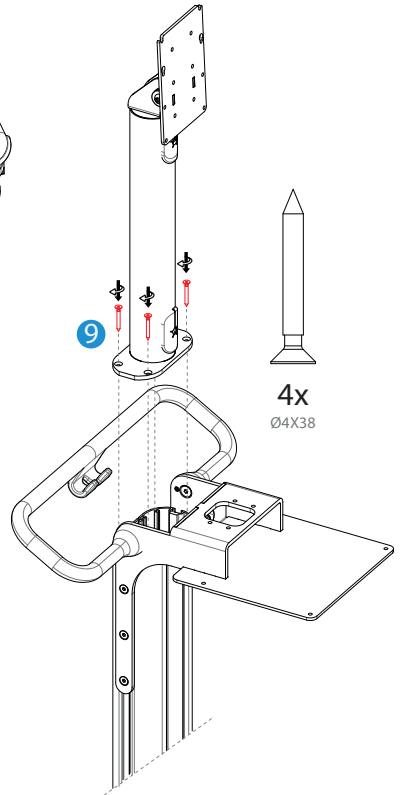
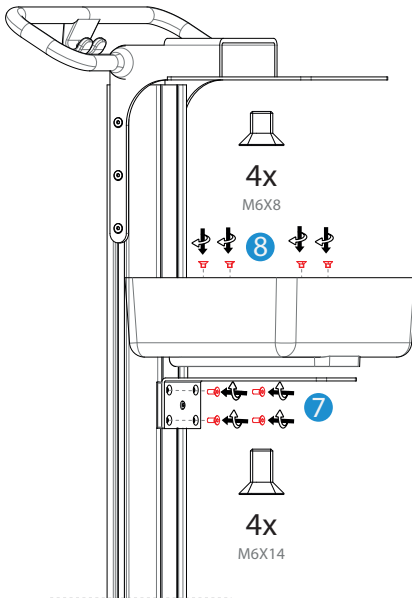
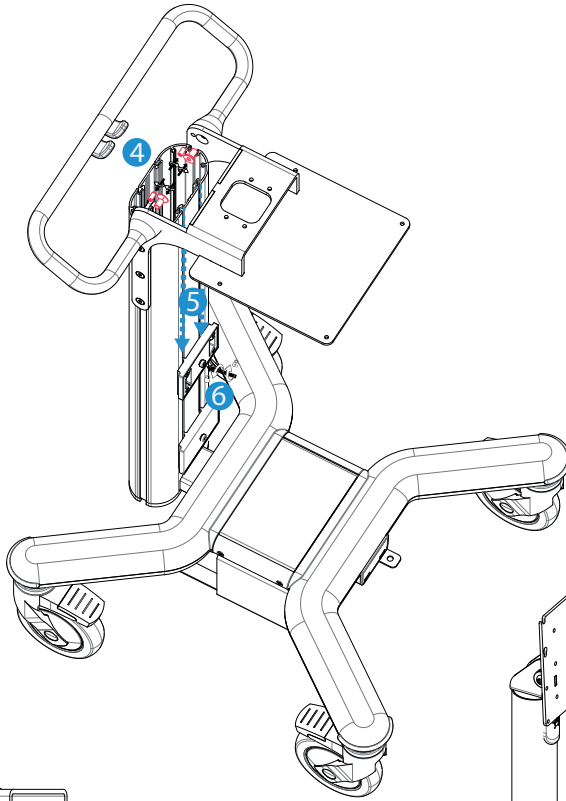
6x

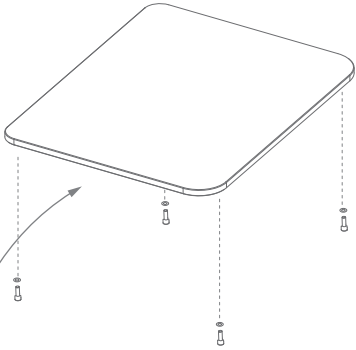
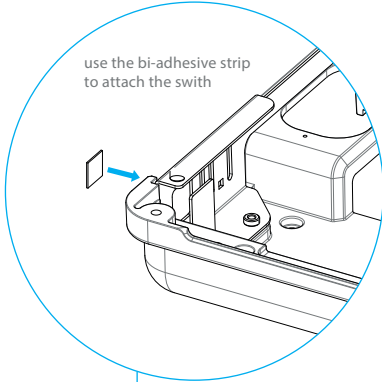
if needed,
use the M4X6
to fix the grommets
on the column
and on the console support.



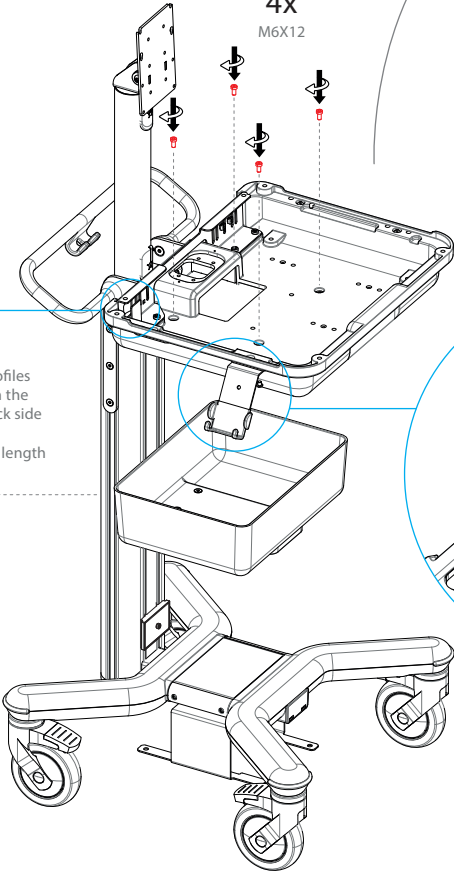
1x M6X16
4x Ø4X38


 2x 2x
 M8X16 M6X14



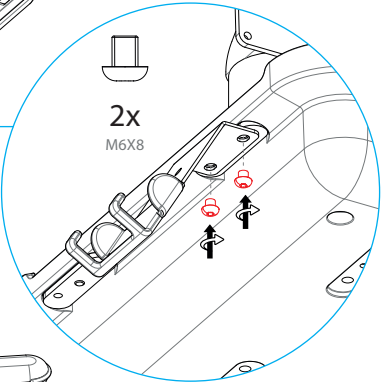


4x
M6X12



if needed,
use the four PVC profiles
to cover the slots on the
front and on the back side
of the column.
Cut it at the desired length
and push it inside.

4x



INTENDED USE

The **Trolley X4** enables the transport of the **SCHILLER ECG device** and its accessories between points of therapy in the hospital environment and limited care facility environment.

GENERAL SAFETY OBLIGATIONS



- The Trolley instructions must be read before use.
- Keep the instructions for future reference.
- The Product was created exclusively for the methods mentioned in the instruction manual.
- Any other use is to be considered improper.
- Multix Solutions is not liable for damages to persons and/or things due to improper use.
- Tampering or damage caused by incorrect use of the product leads to the immediate forfeiture of the guarantee.
- When a **SCHILLER ECG device** is mounted on the trolley, it will be the responsibility of **SCHILLER** to ensure that the system complies with the current applicable standards, EN 60601-1 current version.

GENERAL WARNING AND CAUTION

The safety of the trolley is guaranteed by carefully following the instructions below.

1. Make sure the cart matches the illustration in the manual.
 - Check that it is not broken or damaged during transport.
 - Check that the moving and locking parts such as wheels, brakes and (if present) the gas spring are functional.
 - All four wheels of Trolley have to be locked, when the system and its accessories are assembled or when the system is applied stationary.
 - All wheels of the Trolley have to be unlocked before the Trolley is pushed.
 - Make sure that the Trolley is parked.
 - Make sure that the Trolley is not parked on strongly uneven surfaces.
 - To prevent the Trolley from tipping over, the handle of the Trolley must be held if the Trolley is driven over obstacles (for example power cords).
 - Avoid an excessive force to push the Trolley.
 - No changes to this product are permitted.
2. Follow the maximum load weight indicated on the load label.
 - IT IS FORBIDDEN TO SIT ON THE CART
 - PUSHING PROHIBITED
3. Installation and maintenance must be performed by qualified technical personnel and following the assembly instructions.
4. On request, it is possible to provide spare parts after the approbation by **SCHILLER**.

ASSEMBLY

The assembly instruction of the Trolley is described in the illustrations [on the pages 2, 3, 4](#).

MAINTENANCE AND CLEANING















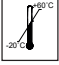



- Check all fixing points and mechanisms every 6 months.
- The product is only suitable for use of indoor environments.
- Regularly clean the metal and/or plastic surfaces with non-corrosive neutral pH detergents and a cloth/sponge/brush with soft bristles.
- Do not pour directly on liquid surfaces, chlorine-based or ammonia-based detergents, greasy and oily substances.

DISPOSAL





The useful life of the product is 10 years, after this life, the trolley must be disposed of according to the regulations in force in the respective countries.

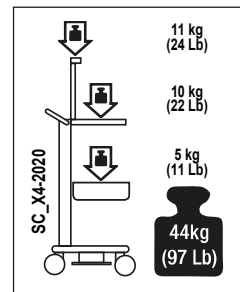
SYMBOLS

The following symbols are displayed on the product or in the instruction:

	Caution		CE-Marking		Catalogue number
	Operation instruction		Manufacturer		Model Number
	Medical Device		Batch code		Date of manufacture
	Humidity limitation		Orientation		Fragile, handle with care
	Keep dry		Keep away from sunlight		Temperature limit
	It's forbidden to sit on the cart		Pushing Prohibited		Distributed by

CAUTION

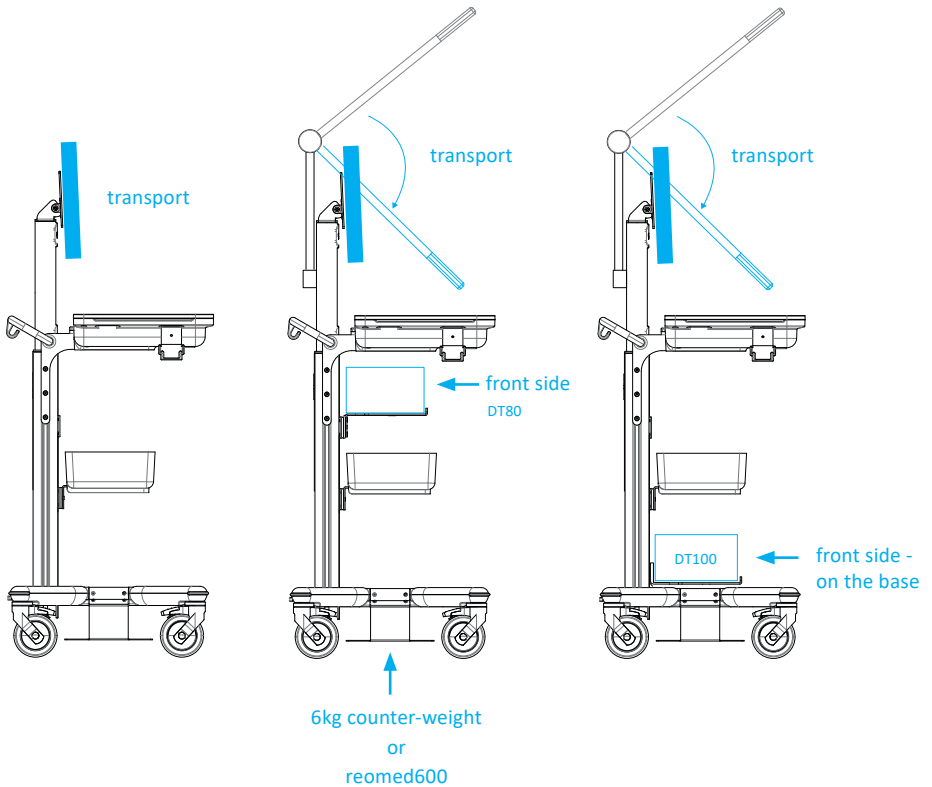
	11 kg (24 Lb)	Maximum load (pole monitor)
	10 kg (22 Lb)	Maximum load (base plate)
	5 kg (11 Lb)	Maximum load (basket)
	44kg (97 Lb)	Total mass, including safe working load



The trolley has been tested only with:

- * strassle pump - DT80 mounted on the front-column with 6kg counter-weight or reomed600 under the base
- * strassle pump - DT100 0 mounted on the front-column on the base

During the trolley transportation the pump-arm and/or the monitor have to be positioned as in the picture below:



Distributed by: SCHILLER

Altgasse 68
P.O. Box 1052
6341 Baar
Switzerland
www.schiller.ch



Multix Solutions s.r.l.
Via Padre Rovagnati 2
22066
Mariano Comense (CO)
Italy

